

BLOC L1 L2 L3

TABLES



^ Low Tables
BLOC L1 (*front*)
BLOC L2 (*middle*)
BLOC L3 (*back*)



Natural

BLINDE DESIGN'S RECTANGULAR CONCRETE TABLE MODELS MAKE A BOLD AND MODERN STATEMENT IN ANY OF TODAY'S OUTDOOR - AND INDOOR - LIVING AND ENTERTAINING SPACES. WITH THREE MODELS - L1, L2 AND L3 - IN DIFFERENT SIZES, VERSATILITY IS KEYNOTE.

POSITION THEM ALONGSIDE A WALL, USE THEM TO DIVIDE A SPACE, OR PLACE THEM IN FRONT OF A SOFA, THEY ENSURE THE PERFECT SETTING - ESPECIALLY WHEN PAIRED WITH BLINDE DESIGN MODULAR SOFAS OR CHAIRS. MADE FROM FLUID™ CONCRETE, THEY'RE BUILT FOR HIGH PERFORMANCE IN ALL WEATHER CONDITIONS.

BLOC L3
BLD.1.T.BLC.L3

Dimensions

L 1700mm [67"]
W 500mm [19.7"]
H 371mm [14.6"]

Weight

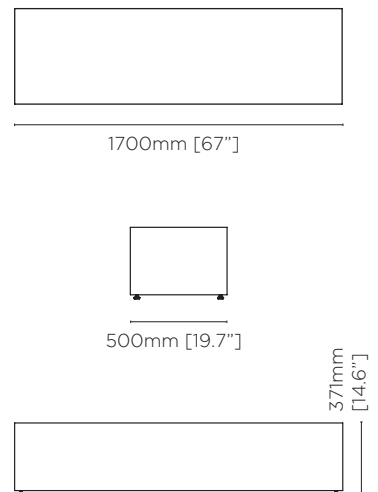
66kg / 145.2lbs

Material

Fluid™ Concrete Technology

Colours

Graphite, Natural and Bone



BLOC L2

BLOC L1

TABLES



Graphite



Bone

BLOC L2 BLD.1.T.BLC.L2

Dimensions
L 1200mm [47"]
W 400mm [15.7"]
H 320mm [12.6"]

Weight
33kg / 72.6lbs

Material
Fluid™ Concrete Technology

Colours
Graphite, Natural, Bone



1200mm [47"]



400mm [15.7"]



320mm
[12.6"]

BLOC L1 BLD.1.T.BLC.L1

Dimensions
L 1000mm [39.4"]
W 400mm [15.7"]
H 270mm [10.7"]

Weight
25.5kg / 56.1lbs

Material
Fluid™ Concrete Technology

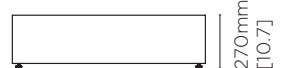
Colours
Graphite, Natural and Bone



1000mm [39.4"]



400mm [15.7"]



270mm
[10.7"]