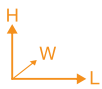



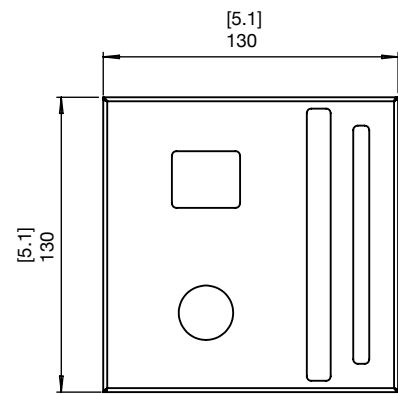
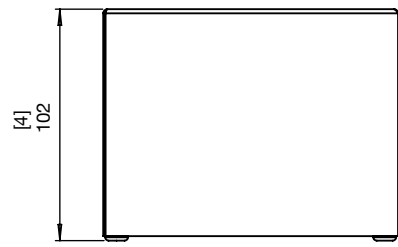
Accessory Holder Specifications

Specially designed to hold the Lighter, Lighting Rod and AB3 Burner Lid, or the AB8 Burner Lid and Efficiency Ring.



Dimensions L x W x H mm/in	Compatible Models
130 x 130 x 102 5.1 x 5.1 x 4	All models

Application	Indoor & Outdoor
Surround Colours	 Stainless Steel ESFA.ACH  Black ESFA.ACH.BL
Materials	Grade 304 Stainless Steel, Black Hi-Temp Coated Stainless Steel
Approx. Weight	1kg [2.2lbs]
Not available in all countries. Accessories not included.	



FOR MORE INFORMATION PLEASE REFERENCE THE CLEARANCE & INSTALLATION MANUAL

Disclaimer: All product specifications and data are subject to change without notice and believed to be correct at the time of publication. MAD Design Group (MDG), its affiliates, agents, and employees, and all persons acting on its or their behalf (collectively, "MAD Design Group"), disclaim any and all liability for any errors, inaccuracies or incompleteness contained herein or in any other disclosure relating to any product. MDG disclaims any and all liability arising out of the use or application of any product described herein or of any information provided herein to the maximum extent permitted by law. The product specifications do not expand or otherwise modify MDG's terms and conditions of purchase, including but not limited to the warranty expressed therein, which apply to these products. No license, express or implied, by estoppel or otherwise, to any intellectual property rights is granted by this document or by any conduct of MDG. Customers using or selling MDG products not expressly indicated for use in such applications do so entirely at their own risk and agree to fully indemnify MDG for any damages arising or resulting from such use or sale. Please contact authorised personnel from MDG to obtain written terms and conditions regarding products designed for such applications. Images are indicative only.